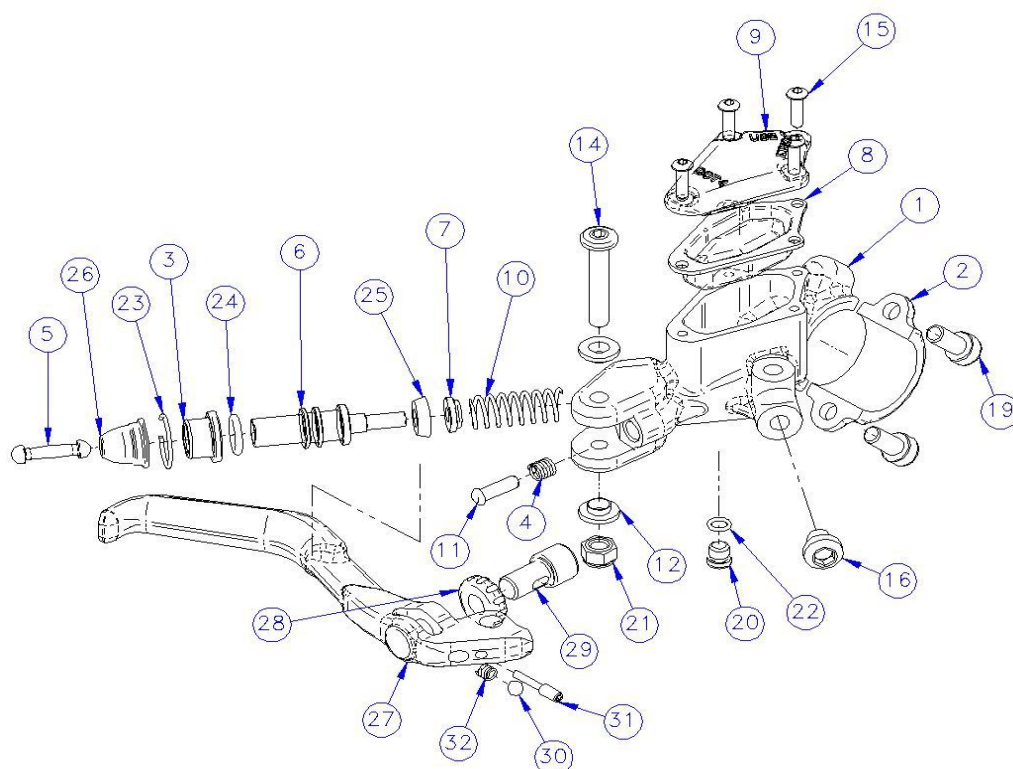
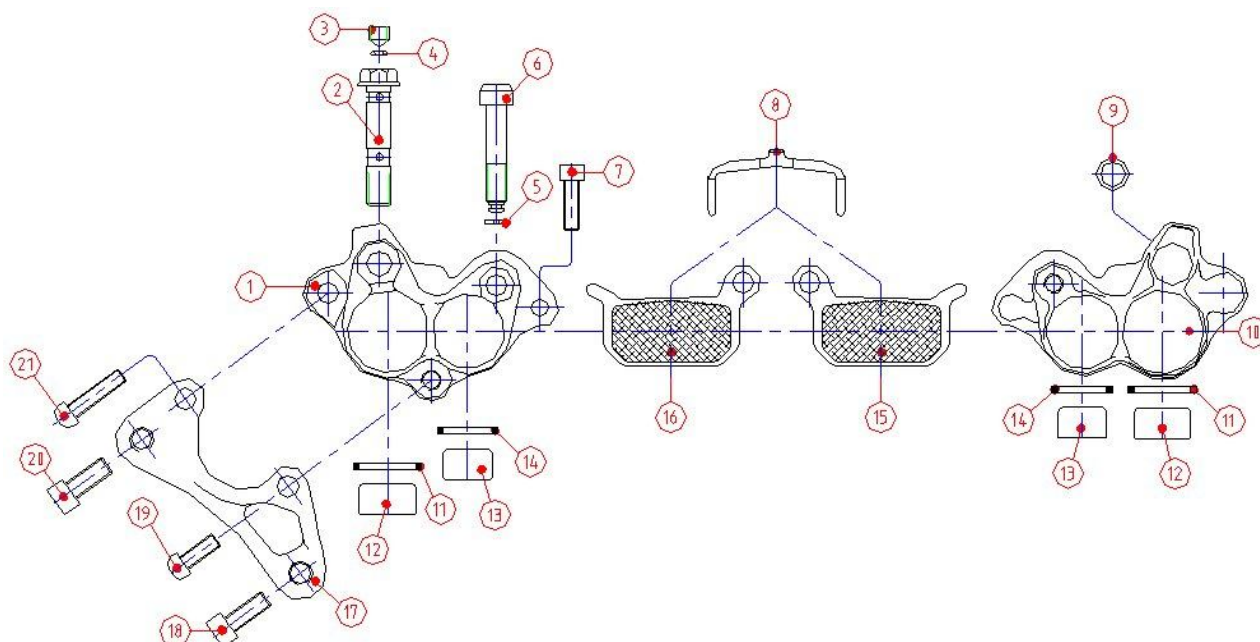


ExtremE FR – Extreme DH PUMP - POMPA



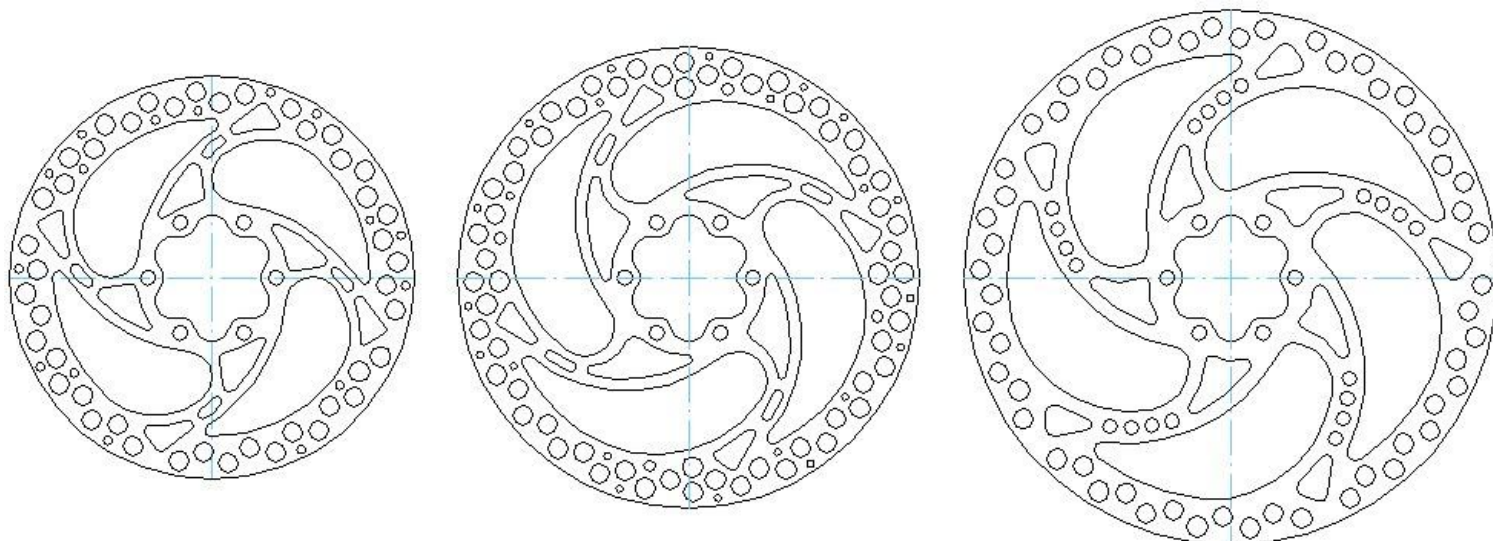
| Description Descrizione | Position Posizione | Code Codice |
|---|--|----------------|
| Complete left pump 2005 Pompa sinistra completa 2005 | 1-2-3-4-5-6-7-8-9-10-11-12-12-14-15(4Pcs.)-16-19-19-21-23-24-25-26-27-28-29-30-31-32 | FD50567-00 |
| Complete right pump 2005 Pompa destra completa 2005 | 1-2-3-4-5-6-7-8-9-10-11-12-12-14-15(4Pcs.)-16-19-19-21-23-24-25-26-27-28-29-30-31-32 | FD50568-00 |
| Left body pump 2005 Corpo pompa sinistro 2005 | 1 | FD-C089-00 |
| Right body pump 2005 Corpo pompa destro 2005 | 1 | FD-C090-00 |
| Pump clamp and screws Collarino pompa con viti | 2-19-19 | FD40031-20 |
| Brake lever Kit Kit Leva freno | 21-12(2 Pcs.)-14-27 | FD40032-20 |
| Piston kit Kit pistone | 26-23-3-24-6-25-7-10 | FD40052-20 |
| Reservoir pump kit Kit serbatoio pompa DH | 15(4 Pcs.)-9-8 | FD40053-20 |
| Adjustment lever kit Kit regolazione leva | 28-32-30-31-29-11-4-5 | FD40038-20 |
| Screw reservoir kit Kit vite serbatoio | 20-22 | FD40049-20 |

ExtremeE - CALIPER - PINZA



| Description Descrizione | Position Posizione | Code Codice |
|--|--------------------------------|----------------|
| Left caliper body - Corpo pinza sx | 1 | FD-C091-00 |
| Right caliper body-Corpo pinza dx 2005 | 10 | FD-C092-00 |
| Screws / OR kit - Kit viti OR | 2-3-4-6-7-9-18-20-5 | FD40032-10 |
| Organic brake pads kit (BOX) Kit pastiglie organiche (CONFEZ.) | 8-16-15 | FD40078-10 |
| Piston kit (2 pcs) - Kit pistoni | 11-12-13-14 | FD40053-10 |
| Front caliper IS adaptor kit (Ø185) Adattatore anteriore IS (Ø185) | 17-19-21 | FD40026-10 |
| Front Manitou adaptor kit (Ø185) Adattatore per forcella Manitou (Ø185) | 17-19-21 | FD40028-10 |
| Front Monster adaptor kit (Ø 205) Adattatore per forcella Monster (Ø 205) | 17-19-21 | FD40052-10 |
| Front Boxxer adaptor kit (Ø185) Adattatore per forcella Boxxer (Ø185) | 17-19-21 | FD40029-10 |
| Caliper IS adapt. kit (rear Ø185, fr. Ø205) Adattatore (post. Ø 185, ant. Ø205) | 17-19-21 | FD40036-10 |
| Front Manitou adaptor kit (Ø205) Adattatore per forcella Manitou (Ø205) | 17-19-21 | FD40044-10 |
| Front Boxxer adaptor kit (Ø205) Adattatore per forcella Boxxer (Ø205) | 17-19-21 | FD40043-10 |
| Rear adaptor kit (Ø205) Adattatore posteriore (Ø205) | 17-19-21 | FD40051-10 |
| Front adaptor kit (Ø 160) Adattatore anteriore (Ø 160) | 17-19-21 | FD40037-10 |
| Rear adaptor kit (Ø 160) Adattatore posteriore (Ø 160) | 17-19-21 | FD40027-10 |
| OR Kit (pump/caliper/tube) | All the brake kit's snap rings | FD40054-10 |

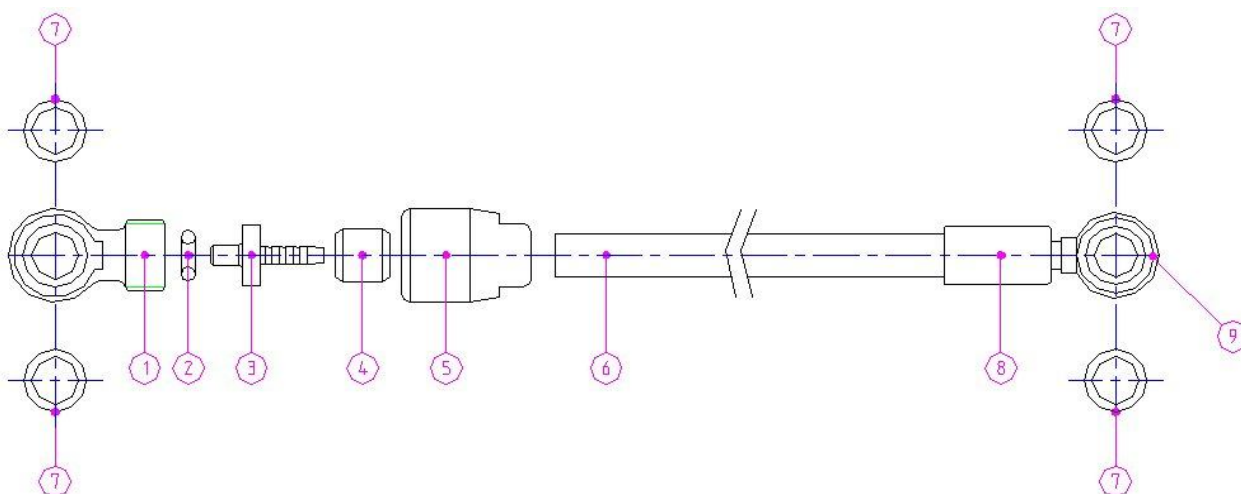
B4/ExtremeE - DISCS - DISCHI



| Description Descrizione | Code Codice |
|--|------------------------------|
| Disc Ø140mm - 4 bolt Disco Ø140 - 4 Fori | FD50672-00 |
| Disc Ø160mm - 4 bolt Disco Ø160 - 4 Fori | FD50671-00 |
| Disc Ø140mm - 6 bolt Disco Ø140 - 6 Fori | FD50674-00 |
| Disc Ø160mm - 6 bolt Disco Ø160 - 6 Fori | FD50673-00 |
| Disc Ø185mm - 6 bolt Disco Ø185 - 6 Fori | FD50675-00 |
| Disc Ø205mm - 6 bolt Disco Ø205 - 6 Fori | FD50678-00 |
| Disc screws kit (6 pcs.) Kit viti disco (6 pz.) | FD40001-50 |

ExtremE dopo 2004

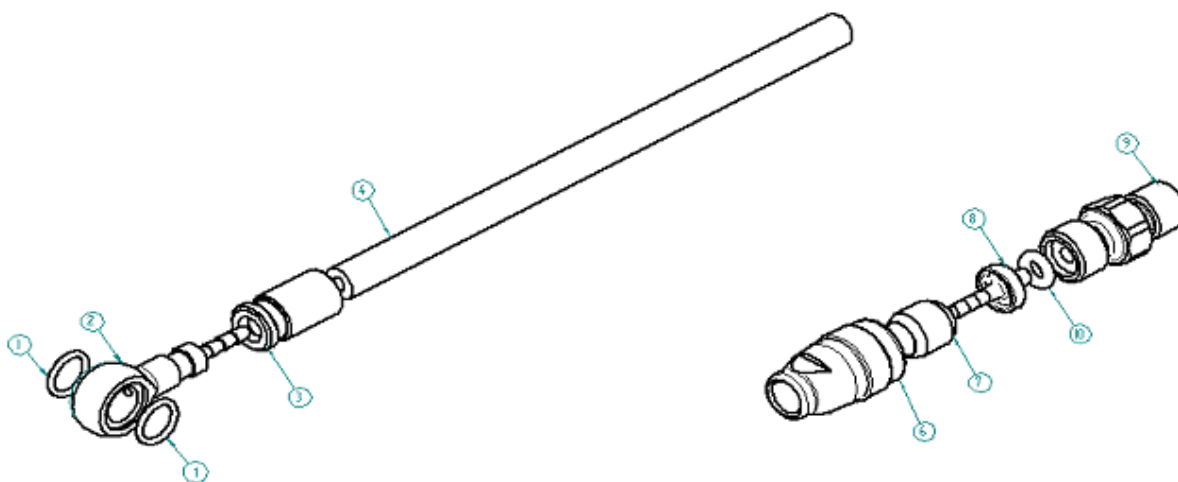
HYDRAULIC TUBE – TUBO IDRAULICO



| Description Descrizione | Position Posizione | Code Codice |
|---|----------------------------|----------------|
| Tube joint kit Kit raccordi tubo | 1-2-3-4-5-7-7 | FD40003-40 |
| 200 cm Complete hydraulic tube Tubo olio 200 cm completo | 1-2-3-4-5-6-7 (4 pcs.)-8-9 | FD50118-00 |

ExtremE prima 2005

HYDRAULIC TUBE – TUBO IDRAULICO



| Description Descrizione | Position Posizione | Code Codice |
|---|-----------------------|----------------|
| Tube joint kit Kit raccordi tubo | 6-7-8-9-10 | FD40008-40 |
| 200 cm Complete hydraulic tube Tubo olio 200 cm completo | 1-1-2-3-4-6-7-8-9-10 | FD50119-00 |

Adaptors – ADATTATORI

| Description Descrizione | Code Codice |
|---|------------------------|
| Standard adaptor for I.S. fork Ø185 mm Forcelle I.S. Ø185 mm | FD51027-00 |
| Rear adaptor from Ø160 to Ø185 mm Adattatore posteriore da Ø160 a Ø185 mm | FD51013-00 |
| Rear adaptor from Ø140 to Ø160 mm Adattatore posteriore da Ø140 a Ø160 mm | FD51014-00 |
| Rear adaptor from Ø140 to Ø185 mm Adattatore posteriore da Ø140 a Ø185 mm | FD51015-00 |
| Manitou Forks Post Mount 74 mm Forcelle Manitou con attacco Post Mount 74 mm | FD51019-00 |
| Front adaptor B4 P.M. from Ø160mm to Ø185 mm Adattatore anteriore per B4 P.M. da Ø160 mm a Ø185 mm | FD51029-00 |
| Rear adaptor B4 PRO P.M. from Ø140 to Ø160 mm Adattatore posteriore B4 PRO P.M. da Ø140 a Ø160 mm | FD51028-00 |



Spare parts - SERVICE ITEMS KIT – KIT ASSISTENZA

| Description / Descrizione | Code / Codice |
|---|---------------|
| Ref. B4 & 4Racing XC Pump / Rif. Pompa B4 & 4Racing XC (pag. 3) | |
| Kit parts n°19 (50 pcs) Kit Ossicino Pompa (50 pz.) [19] | FD40019-20 |
| Pump-Lever Adjust Screw Kit-Part 18 (50pcs) Kit Regolazione Leva Pompa B4 (50 pz.) [18] | FD40018-20 |
| Left diaphragm pump kit parts n°10 (50 pc) Kit Membrana sx Pompa (50 pz.) [10] | FD40020-20 |
| Right diaphragm pump kit parts n°10 (50 pc) Kit Membrana dx Pompa (50 pz.) [10] | FD40021-20 |
| Ref. B4 Caliper / Rif. Pinza B4 (pag. 7) | |
| Kit parts n°6 and 7 (50 pc) Kit Grano+O-Ring spurgo Pinza (50 pz.) [6-7] | FD40038-10 |
| Ref. B4 & 4Racing Hydraulic Tube / Rif. Tubo B4 & 4Racing (pag.19) | |
| Hydraulic tube bush kit parts n°4 (50pc) Kit Biconico Tubo (50 pz.) [4] | FD40007-40 |
| Ref 4Racing FR / DH – Extreme FR / DH - Rif pompa 4Racing FR / DH – Extreme FR / DH (pag.14) | |
| Service kit - 5 pc for each part / Kit base riparazione - 5 pz di ogni particolare 5-6-9l-9r-10l-10r-11-12l-12r-13-14-18-19-21-22-23-24 (pag.3) 14 (pag.6) | FD40039-20 |
| Ref All | |
| Kit O-ring 8x1 tenuta pinza (50 pz.) O-Ring 8x1 inside caliper 50 Pc (Ex. part 14 pag. 10) | FD40050-10 |
| Kit pomello leva pompa B4 (50 pz.) Lever nut B4 pump 50 Pc (Ex. part 16 pag. 5) | FD40042-20 |
| Kit O-Ring 2x1 tenuta grano spurgo (50 pz.) O-Ring 2x1 (Ex. part 5 pag. 5) | FD40043-20 |
| Tools for installing pump piston B4/4Racing Utensile per inserimento pistone pompa B4/4Racing | FD40026-20 |
| Washer kit 20mm Axle Forks Kit spessori pinza per forcelle con perno di 20mm | FD40068-10 |
| Washer kit Kit spessori pinza | FD40030-10 |

